

CABLING STRUCTURE RACEWAYS



Fiber Raceway Systems

Samm fiber optic raceway system is a fully enclosed ducting system that segregates, routes, and protects fiber optic cables and jumpers from building entry point to fiber termination and distribution equipment. With the raceway system, fiber is easily traced and accessed through its convenient fully wrap-around, lay-in design.

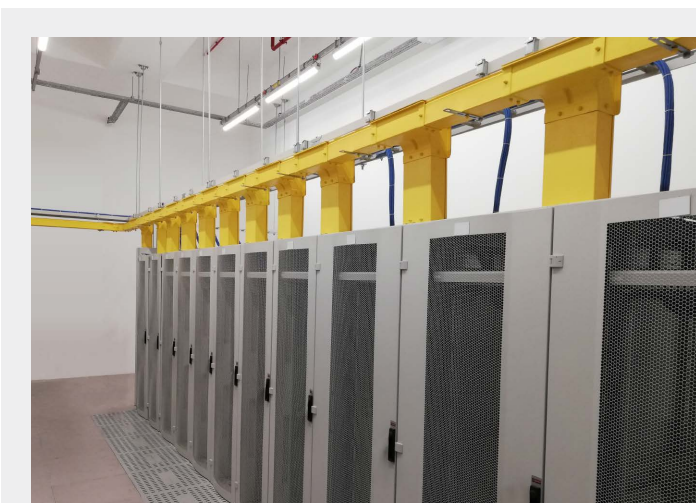
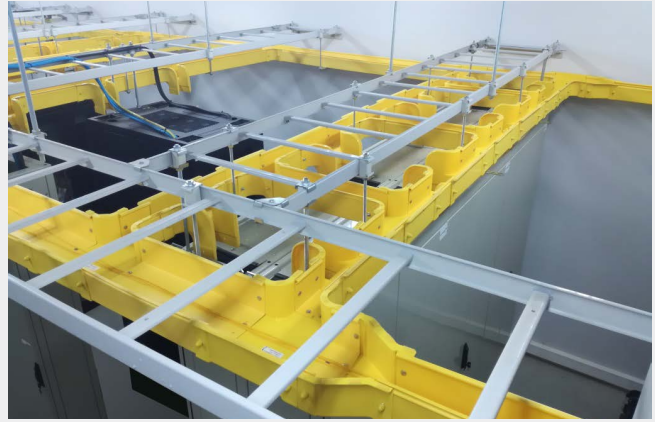
Straight channels and curved fittings are specifically designed to prevent fibers from violating a 50mm minimum bend Radius requirement and they protect fibers from snagging, crimping, and stress.

The system's modular design and extensive mounting kit selection enable the Project engineer to meet cable capacity requirements and future expansion needs using existing superstructure, cable racking and/or equipment racking.

The flexibility and simplicity of the Samm raceway system ensures cost-effective installations for new or existing cable routes in Central Offices, CEVs, Head-ends, Remote Offices, Data Centers, and Wiring Closets.

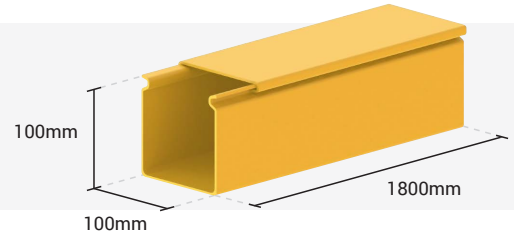
Technical Features

- All exposed surfaces are textured
- High impact thermoplastic robust design,PC/ABS blend
- Flammability rating of V-0 according to UL 94
- Hardware-free covers on all components
- Halogen-free (RoHS compliant)
- Robust and strong product design
- Versatile mounting kits
- Internal cable retainers

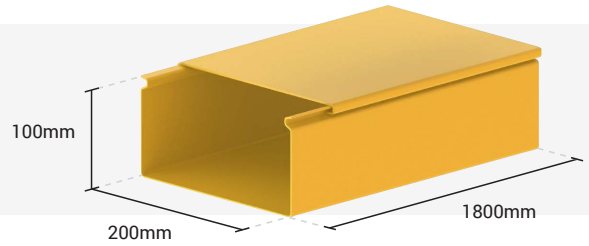


Solid Channels

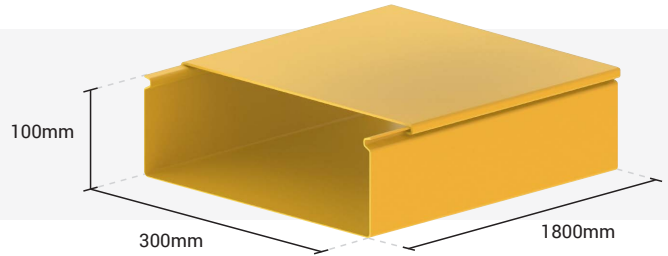
| Description | Order Code |
|--------------------------------|------------|
| 100mm_Solid Channel, W/O Cover | HT00348 |
| 100mm_Solid Channel Cover | HT00349 |
| 100mm_Solid Channel, W/ Cover | YT00252 |



| | |
|--------------------------------|---------|
| 200mm_Solid Channel, W/O Cover | HT00437 |
| 200mm_Solid Channel Cover | HT00438 |
| 200mm_Solid Channel, W/ Cover | YT00302 |



| | |
|--------------------------------|---------|
| 300mm_Solid Channel, W/O Cover | HT00435 |
| 300mm_Solid Channel Cover | HT00436 |
| 300mm_Solid Channel, W/ Cover | YT00070 |



Usable Filling Capacities

| | Cable Diameter mm | Duct 100 x 100 | Duct 100 x 200 | Duct 100 x 300 | Tube 50 D. | Tube 100 D. |
|-------------|-------------------|----------------|----------------|----------------|------------|-------------|
| Recommended | 1.7 | 960 | 1920 | 2880 | 250 | 500 |
| | 2 | 721 | 1443 | 2164 | 208 | 415 |
| | 2.4 | 500 | 1000 | 1500 | 144 | 288 |
| | 3 | 320 | 640 | 960 | 100 | 200 |
| Maximum | 1.7 | 1728 | 3456 | 5184 | | |
| | 2 | 1298 | 2597 | 3895 | | |
| | 2.4 | 905 | 1810 | 2715 | | |
| | 3 | 580 | 1160 | 1740 | | |

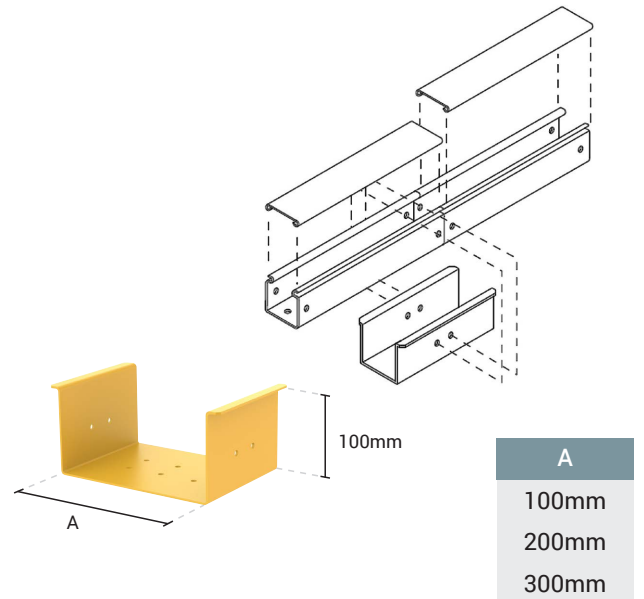
Recommended numbers are according to Telcordia 449 (maximum 50 mm pile height)

Assemblies

Channel to Channel Assembly

To create straight sections of channel beyond 1.8 meter in length, individual straight sections are joined using a channel splice position the end of one channel half way into the channel splice. Fasten the two components using M6 mushroom head bolts and nuts butt the second channel to the first within the channel splice, assemble and fasten in a similar manner.

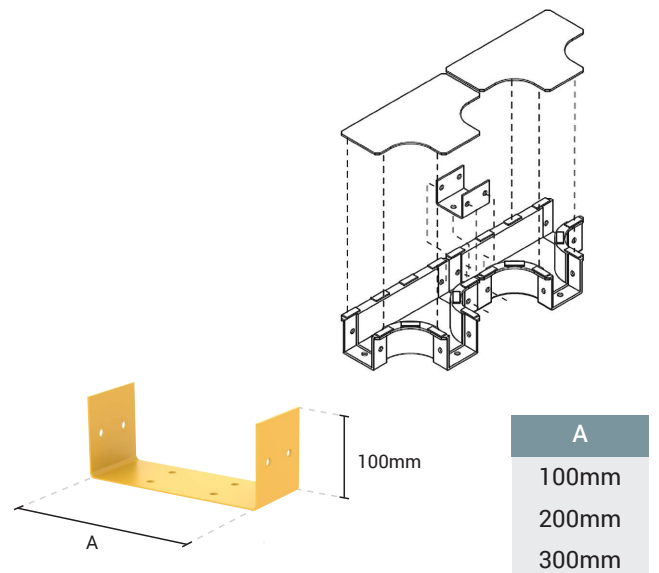
| Description | Order Code |
|-----------------------------|------------|
| 100mm_Solid Channel Fitting | YT00249 |
| 200mm_Solid Channel Fitting | YT00299 |
| 300mm_Solid Channel Fitting | YT00251 |



Fitting to Fitting Assembly

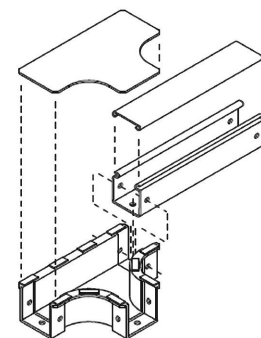
To assemble two fittings together use a fitting splice fitting splices are designed to fit within the female receptacle on each fitting. Position the fitting splice within the receptacle of the fitting itself. Fasten the two components using M6 mushroom head bolts and nuts place the second fitting over the fitting splice and fasten in a similar manner.

| Description | Order Code |
|-------------------------|------------|
| 100mm_Accessory Fitting | YT00127 |
| 200mm_Accessory Fitting | YT00075 |
| 300mm_Accessory Fitting | YT00254 |



Fitting to Fitting Assembly

All fittings are designed with female receptacles at their outlets. These receptacles are dimensionally designed to accept straight channels without the use of additional parts or junction kits. This helps to reduce the total number of parts required for typical installations. Fewer parts to install translates into reduced material costs and assembly time. To install a fitting to the end of a channel section, simply slip the channel into the receptacle of the fitting. Fasten the two components using M6 mushroom head bolts and nuts. When complete the channel cover fits under the fitting cover, eliminating any gaps.

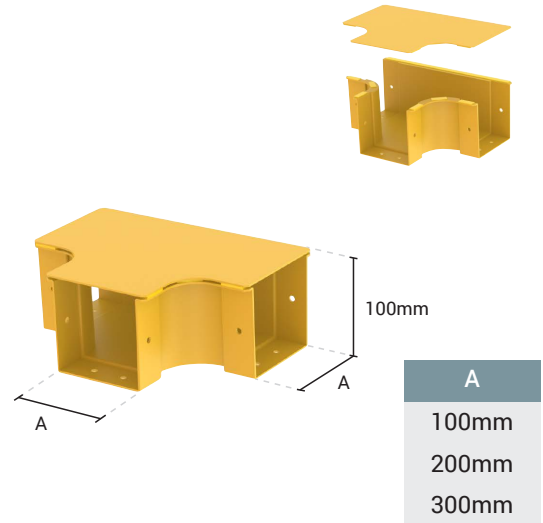


No Accessory Fitting Required!

Fittings

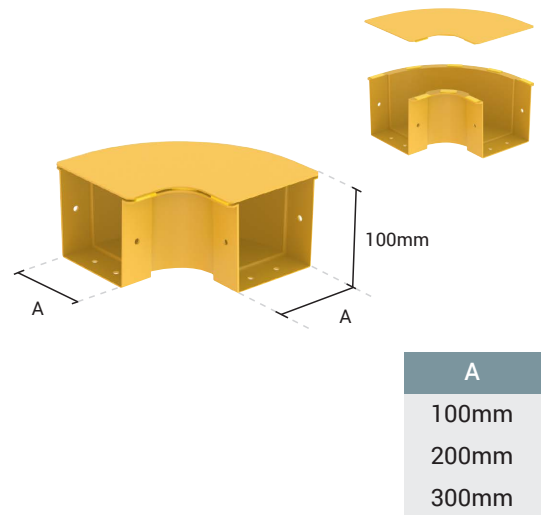
Horizontal "T" Connections

| Description | Order Code |
|--|------------|
| 100mm_Horizontal "T" Connection, W/O Cover | HT00334 |
| 100mm_Horizontal "T" Connection Cover | HT00335 |
| 100mm_Horizontal "T" Connection, W/ Cover | YT00241 |
| 200mm_Horizontal "T" Connection, W/O Cover | HT00622 |
| 200mm_Horizontal "T" Connection Cover | HT00623 |
| 200mm_Horizontal "T" Connection, W/ Cover | YT00304 |
| 300mm_Horizontal "T" Connection, W/O Cover | HT00371 |
| 300mm_Horizontal "T" Connection Cover | HT00372 |
| 300mm_Horizontal "T" Connection, W/ Cover | YT00086 |



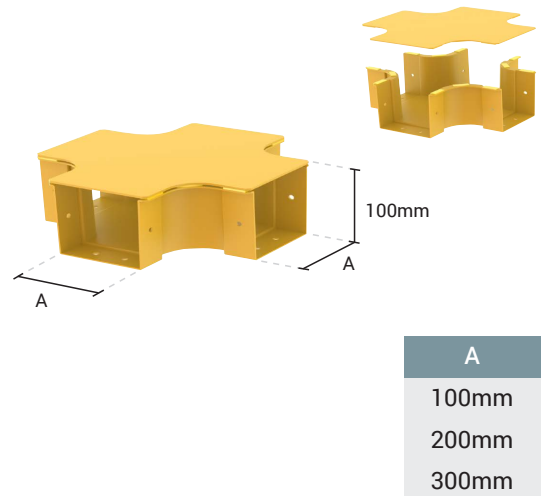
90° Horizontal Elbows

| Description | Order Code |
|-----------------------------------|------------|
| 100mm_Horizontal Elbow, W/O Cover | HT00337 |
| 100mm_Horizontal Elbow Cover | HT00336 |
| 100mm_Horizontal Elbow, W/ Cover | YT00242 |
| 200mm_Horizontal Elbow, W/O Cover | HT00624 |
| 200mm_Horizontal Elbow Cover | HT00625 |
| 200mm_Horizontal Elbow, W/ Cover | YT00303 |
| 300mm_Horizontal Elbow, W/O Cover | HT00362 |
| 300mm_Horizontal Elbow Cover | HT00361 |
| 300mm_Horizontal Elbow, W/ Cover | YT00256 |



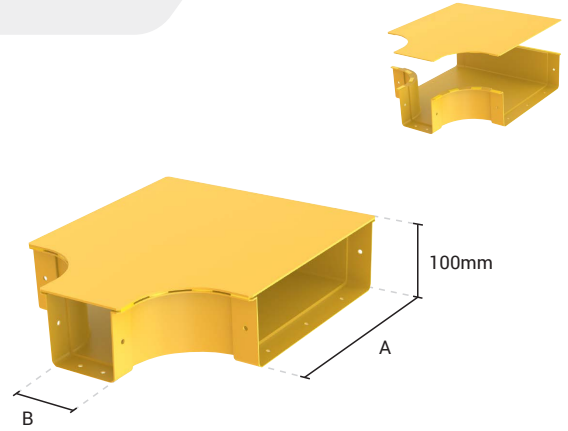
4-Way Cross Connections

| Description | Order Code |
|---|------------|
| 100mm_4 Way Cross Connection, W/O Cover | HT00344 |
| 100mm_4 Way Cross Connection Cover | HT00345 |
| 100mm_4 Way Cross Connection, W/ Cover | YT00246 |
| 200mm_4 Way Cross Connection, W/O Cover | HT00656 |
| 200mm_4 Way Cross Connection Cover | HT00657 |
| 200mm_4 Way Cross Connection, W/ Cover | YT00309 |
| 300mm_4 Way Cross Connection, W/O Cover | HT00396 |
| 300mm_4 Way Cross Connection Cover | HT00397 |
| 300mm_4 Way Cross Connection, W/ Cover | YT00227 |



Horizontal "T" Reducers

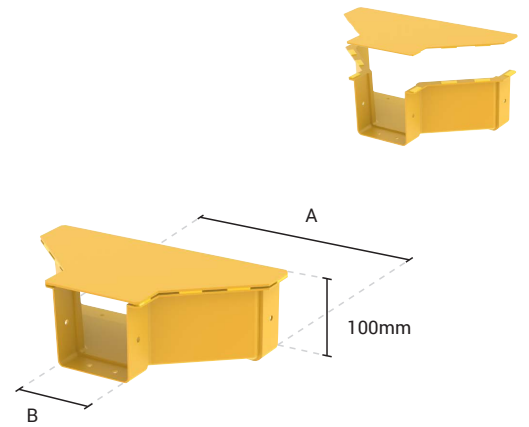
| Description | Order Code |
|--|------------|
| 3010_Horizontal "T" Reducer, W/O Cover | HT00346 |
| 3010_Horizontal "T" Reducer Cover | HT00347 |
| 3010_Horizontal "T" Reducer, W/ Cover | YT00247 |
| 3020_Horizontal "T" Reducer, W/O Cover | HT00645 |
| 3020_Horizontal "T" Reducer Cover | HT00646 |
| 3020_Horizontal "T" Reducer, W/ Cover | YT00313 |
| 2010_Horizontal "T" Reducer, W/O Cover | HT00647 |
| 2010_Horizontal "T" Reducer Cover | HT00648 |
| 2010_Horizontal "T" Reducer, W/ Cover | YT00312 |



| Size Coding | A | B |
|-------------|-------|-------|
| 3010 | 300mm | 100mm |
| 3020 | 300mm | 200mm |
| 2010 | 200mm | 100mm |

Horizontal Line Reducers

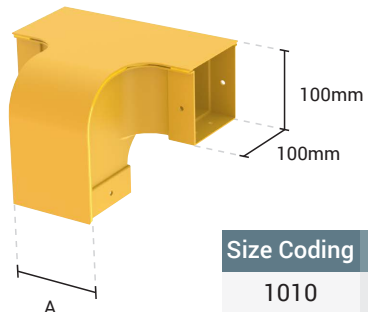
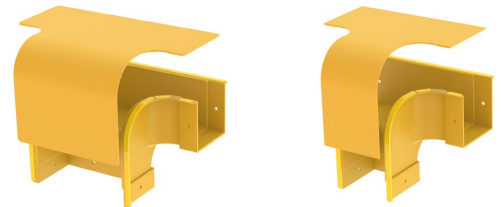
| Description | Order Code |
|------------------------------------|------------|
| 3010_Horizontal Reducer, W/O Cover | HT00366 |
| 3010_Horizontal Reducer Cover | HT00365 |
| 3010_Horizontal Reducer, W/ Cover | YT00257 |
| 3020_Horizontal Reducer, W/O Cover | HT00660 |
| 3020_Horizontal Reducer Cover | HT00661 |
| 3020_Horizontal Reducer, W/ Cover | YT00073 |
| 2010_Horizontal Reducer, W/O Cover | HT00662 |
| 2010_Horizontal Reducer Cover | HT00663 |
| 2010_Horizontal Reducer, W/ Cover | YT00314 |



| Size Coding | A | B |
|-------------|-------|-------|
| 3010 | 300mm | 100mm |
| 3020 | 300mm | 200mm |
| 2010 | 200mm | 100mm |

Vertical Offset Drops | 100mm

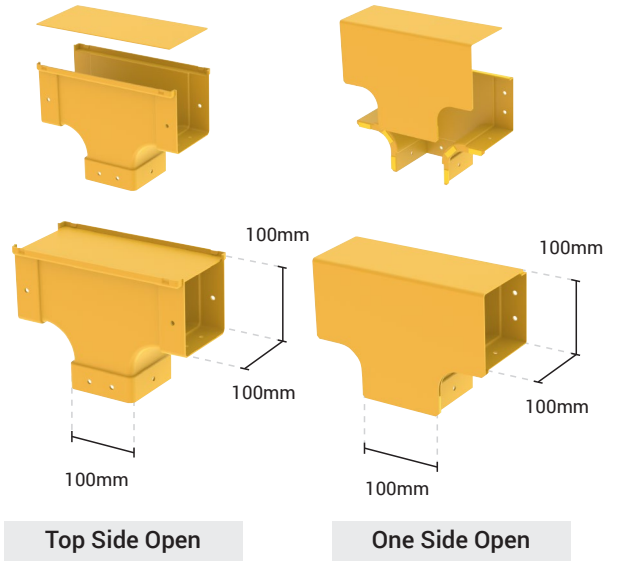
| Description | Order Code |
|--------------------------------------|------------|
| 1010_Vertical Offset Drop, W/O Cover | HT00637 |
| 1010_Vertical Offset Drop Cover | HT00638 |
| 1010_Vertical Offset Drop, W/ Cover | YT00298 |
| 1020_Vertical Offset Drop, W/O Cover | HT00640 |
| 1020_Vertical Offset Drop Cover | HT00639 |
| 1020_Vertical Offset Drop, W/ Cover | YT00563 |



| Size Coding | A |
|-------------|-------|
| 1010 | 100mm |
| 1020 | 200mm |

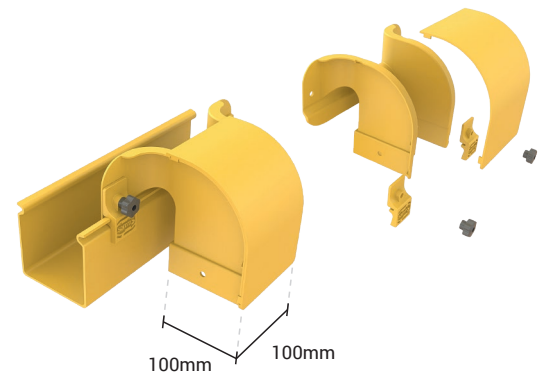
Vertical Line Drops | 100mm

| Description | Order Code |
|--|------------|
| 100mm_Top Side Open Vertical Drop, W/O Cover | HT00753 |
| 100mm_Top Side Open Vertical Drop Cover | HT00754 |
| 100mm_Top Side Open Vertical Drop, W/ Cover | YT00734 |
| 100mm_One Side Open Vertical Drop, W/O Cover | HT00342 |
| 100mm_One Side Open Vertical Drop Cover | HT00343 |
| 100mm_One Side Open Vertical Drop, W/ Cover | YT00245 |



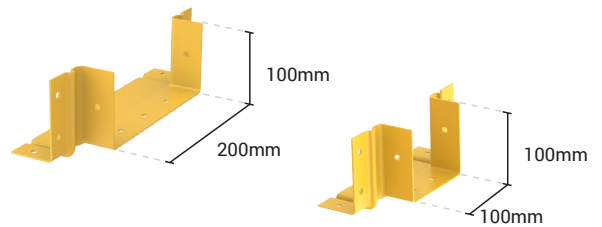
Quick Drop | 100mm

| Description | Order Code |
|------------------------------------|------------|
| 1010_Vertical Quick Drop W/O Cover | HT01317 |
| 1010_Vertical Quick Drop Cover | HT01318 |
| 1010_Vertical Quick Drop Fixture | HT01320 |
| 1010_Vertical Quick Drop W/ Cover | YT01173 |

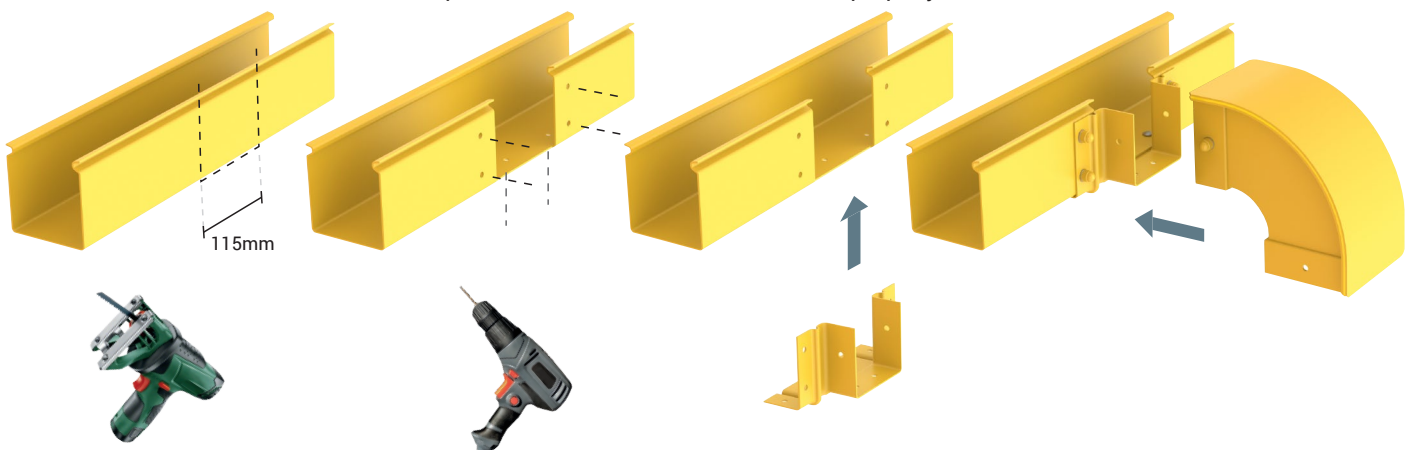


Cut-off Drop Connection

| Description | Order Code |
|-------------------------------|------------|
| 100mm_Cut-off Drop Connection | YT00286 |
| 200mm_Cut-off Drop Connection | YT01321 |

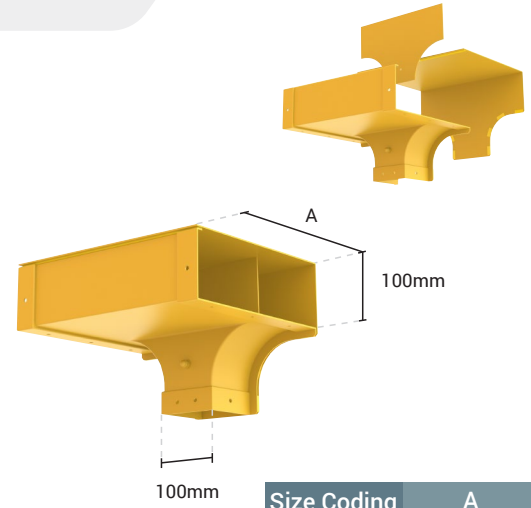


- 1 Cut open the channel as shown below.
- 2 Drill screw holes at the proper screw points.
- 3 Mount the Connection and screw it properly.
- 4 Install the compatible drop out-let.



Vertical Line Drops

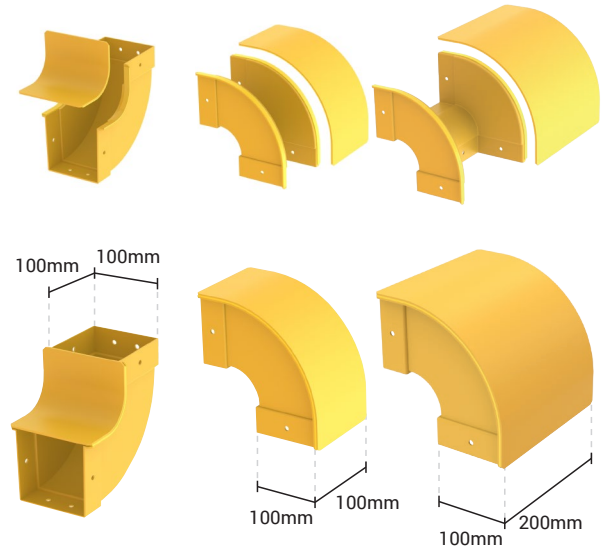
| Description | Order Code |
|------------------------------------|------------|
| 2010_Vertical Line Drop, W/O Cover | HT00642 |
| 2010_Vertical Line Drop Cover | HT00641 |
| 2010_Vertical Line Drop, W/ Cover | YT00310 |
| 3010_Vertical Line Drop, W/O Cover | HT00359 |
| 3010_Vertical Line Drop Cover | HT00360 |
| 3010_Vertical Line Drop, W/ Cover | YT00255 |



| Size Coding | A |
|-------------|-------|
| 2010 | 200mm |
| 3010 | 300mm |

90° Inside/Outside Open Vertical Elbows

| Description | Order Code |
|--|------------|
| 100mm_Inside Open Vertical Elbow, W/O Cover | HT00338 |
| 100mm_Inside Open Vertical Elbow Cover | HT00339 |
| 100mm_Inside Open Vertical Elbow, W/ Cover | YT00243 |
| 100mm_Outside Open Vertical Elbow, W/O Cover | HT00341 |
| 100mm_Outside Open Vertical Elbow Cover | HT00340 |
| 100mm_Outside Open Vertical Elbow, W/ Cover | YT00244 |
| 200mm_Outside Open Vertical Elbow, W/O Cover | HT02301 |
| 200mm_Outside Open Vertical Elbow Cover | HT02302 |
| 200mm_Outside Open Vertical Elbow, W/ Cover | YT01320 |



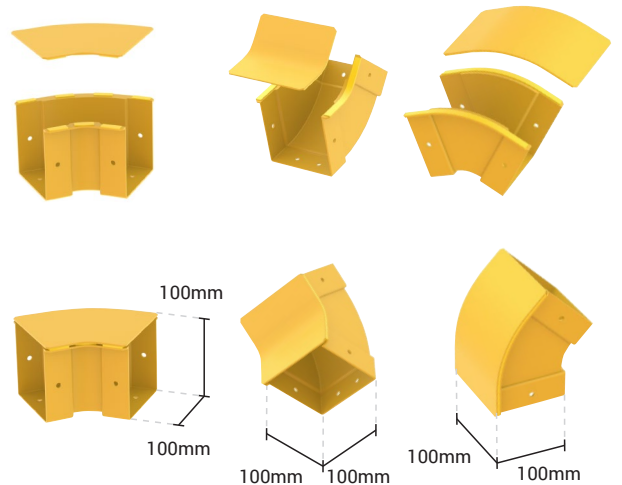
Inside Open

Outside Open

Outside Open

45° Horizontal/Vertical Elbows

| Description | Order Code |
|--|------------|
| 100mm_Horizontal Elbow 45°, W/O Cover | HT00649 |
| 100mm_Horizontal Elbow 45° Cover | HT00650 |
| 100mm_Horizontal Elbow 45°, W/ Cover | YT00123 |
| 100mm_Outside Open Vertical Elbow 45°, W/O Cover | HT00651 |
| 100mm_Outside Open Vertical Elbow 45° Cover | HT00652 |
| 100mm_Outside Open Vertical Elbow 45°, W/ Cover | YT00565 |
| 100mm_Inside Open Vertical Elbow 45°, W/O Cover | HT00653 |
| 100mm_Inside Open Vertical Elbow 45° Cover | HT00654 |
| 100mm_Inside Open Vertical Elbow 45°, W/ Cover | YT00564 |



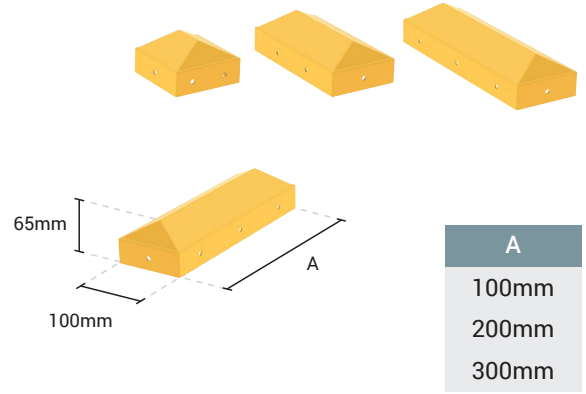
Horizontal

Inside Open

Outside Open

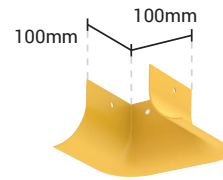
Channel End Caps

| Description | Order Code |
|-----------------------|------------|
| 100mm_Channel End Cap | YT00248 |
| 200mm_Channel End Cap | YT00311 |
| 300mm_Channel End Cap | YT00091 |



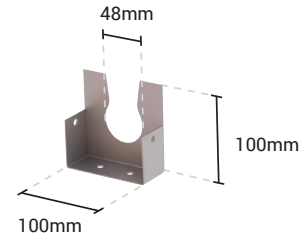
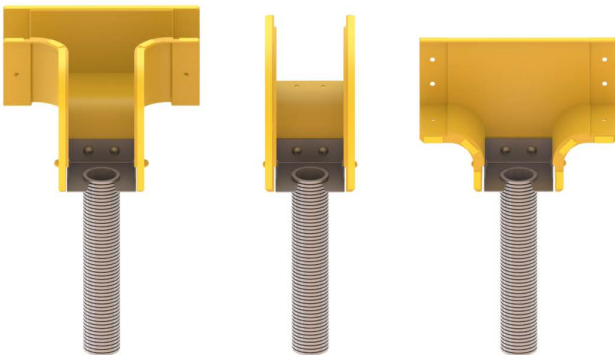
Accessory Outlets

| Description | Order Code |
|----------------------------------|------------|
| 100mm_Bend Radius Outlet Trumpet | YT00250 |



Compatible with all 100mm drop outlets

| Description | Order Code |
|------------------------|------------|
| Flex Tube Adapter-48-1 | YT00320 |



Compatible with all 100mm drop outlets

Surface Hanging Supports - I Profiles

| Description | Order Code |
|--|------------|
| 100mm_I11 Threaded Rod Hanging Support | YT00061 |
| 200mm_I12 Threaded Rod Hanging Support | YT00315 |
| 300mm_I13 Threaded Rod Hanging Support | YT00316 |



For one side hanging M14 or M16 rod sizes are recommended
For two sides hanging M12 or M14 rod sizes are recommended

Installation Types

Underfloor Hanging



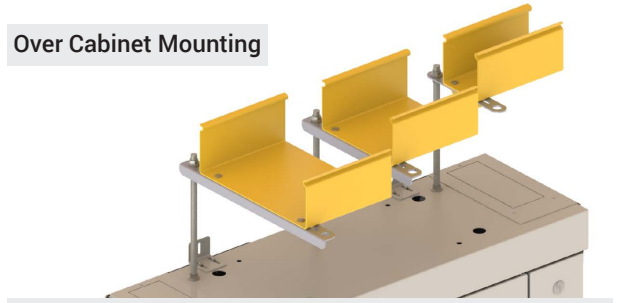
Ceiling Hanging



Ladder Mounting

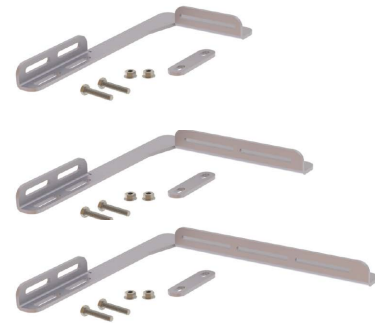


Over Cabinet Mounting



Ladder Hanging Supports - L Profiles

| Description | Order Code |
|---------------------------------------|------------|
| 100mm_L11 Cable Ladder Connection Set | YT00645 |
| 200mm_L12 Cable Ladder Connection Set | YT00646 |
| 300mm_L13 Cable Ladder Connection Set | YT00647 |



Installation Types

Supplied with M8 bolt and nut set



Surface Hanging Supports - U Profiles

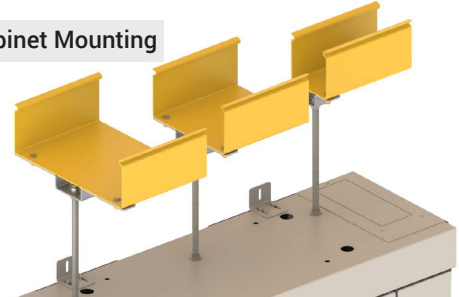
| Description | Order Code |
|--|------------|
| 100mm_U11 Threaded Rod Hanging Support | HT00096 |
| 200mm_U12 Threaded Rod Hanging Support | HT00514 |
| 300mm_U13 Threaded Rod Hanging Support | HT00515 |

Installation Types

Underfloor Hanging



Over Cabinet Mounting

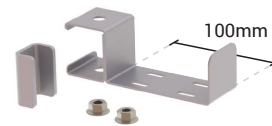


M14 or M16 rod sizes are recommended

Hanging Supports - C Profiles

| Description | Order Code |
|--|------------|
| 100mm_C11 Threaded Rod Hanging Support | YT01011 |

Installation Types

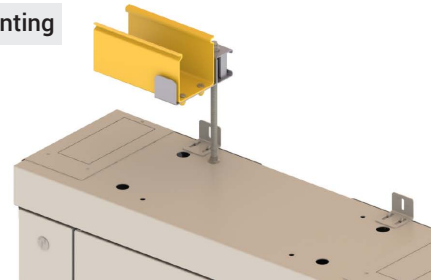


M10 or M12 rod sizes are recommended

Ladder Mounting



Over Cabinet Mounting

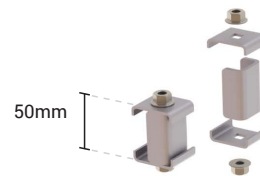


Underfloor Hanging

Ladder Mounting Clamp

| Description | Order Code |
|---------------------------|------------|
| 50mm_LC1 Ladder Clamp Set | YT01012 |

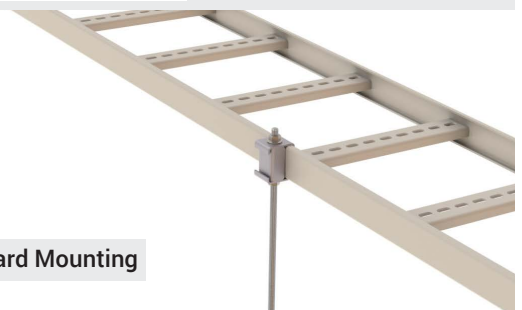
Installation Types



M10 or M12 rod sizes are recommended



Upward Mounting



Downward Mounting

Raceway Fastening Components



| Description | Order Code |
|------------------|------------|
| Bolt+Nut+Cap Set | YT00259 |

Flex Tubes

| Description | Order Code |
|----------------------------------|------------|
| Single Wall Slitted Flex Tube-48 | YT00644 |



Galvanized Steel Rods and Nuts

| Description | Order Code |
|--------------------------------|------------|
| M10 Threaded Rod,Galvanized-1M | HT00350 |
| M12 Threaded Rod,Galvanized-1M | HT01215 |
| M14 Threaded Rod,Galvanized-1M | HT01216 |
| M16 Threaded Rod,Galvanized-1M | HT01217 |

| Description | Order Code |
|-------------------------------------|------------|
| DIN 6923 M10 Flanged Nut,Galvanized | HT00890 |
| DIN 6923 M12 Flanged Nut,Galvanized | HT01218 |
| DIN 6923 M14 Flanged Nut,Galvanized | HT01219 |
| DIN 6923 M16 Flanged Nut,Galvanized | HT01220 |

